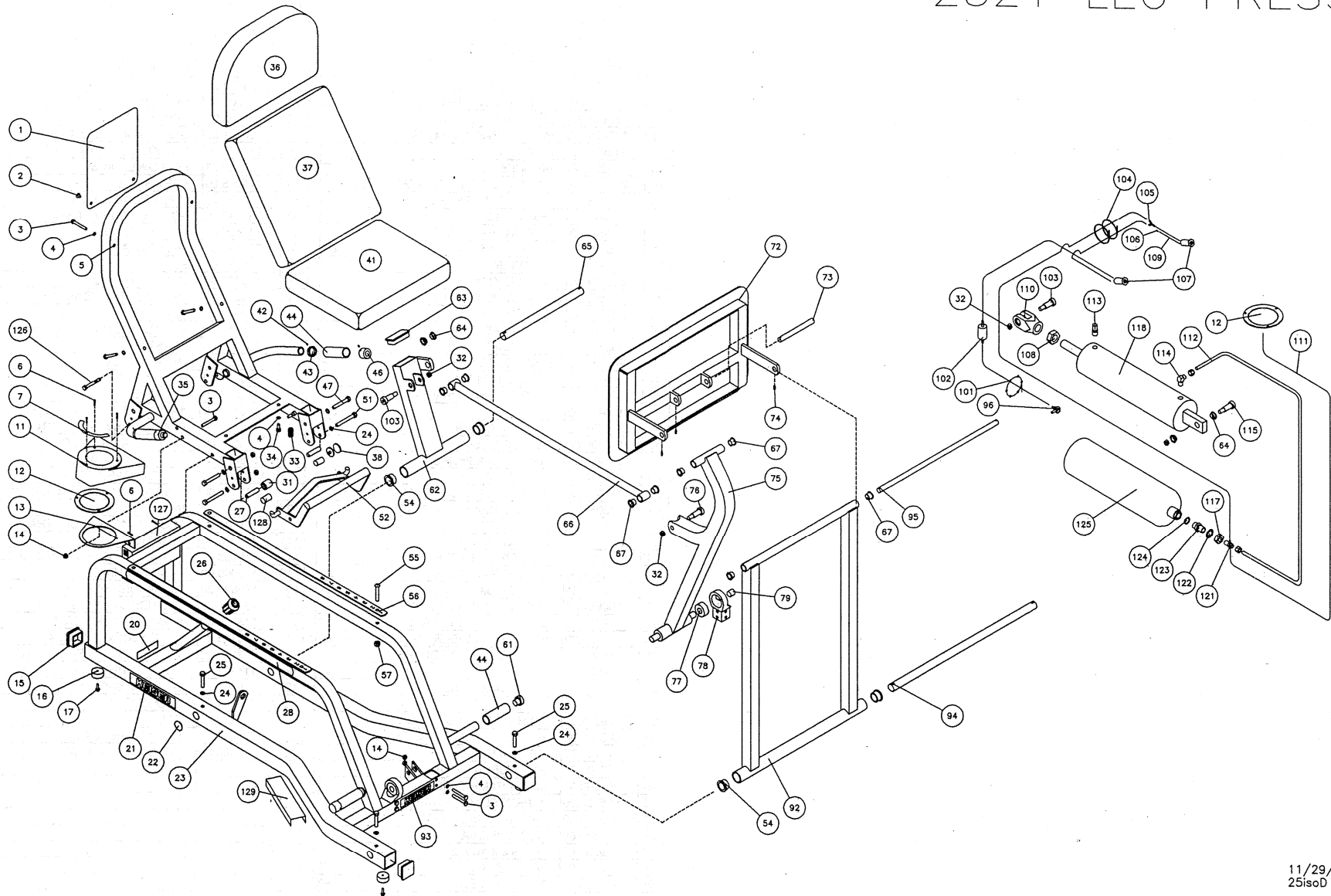


2521 LEG PRESS



Air 250 Leg Press

ITEM	PART #	DESCRIPTION	ITEM	PART #	DESCRIPTION
1	255416.20	INSTRUCTIONAL PLACARD	73	252181.31	TOP PIVOT SHAFT CR
2	265404.00	PLASTIC RIVET	74	9001.00	SPRING PIN 3/16 x 1/2 ZP
3	9179.00	HHCS 5/16-18 x 2 1/4 ZP	75	250931.33	EX ARM BK
4	9353.00	5/16 ACFT WASHER ZP	76	9131.00	SHSB 5/8 x 1 1/2 ZP
5	250939.32	SEAT FRAME WT	77	115394.00	SPHERICAL BEARING 3/4
6	9272.00	PHSTS TF # 6 x 1/2 ST	78	135407.00	BEARING HOUSING 3/4
7	115307.00	KNEE DECAL	79	115067.00	BEARING HOUSING
11	205405.00	FLANGED GAGE BOX	92	250930.32	1 x 3/4 BK VINYL CAP WT
12	A600803.60	DIGITAL GAGE ASSY	93	115371.00	FOLLOWER ARM
	B250801.60	100 PSI ANALOG GAGE ASSY/2521	94	252246.73	DECAL - "KEISER" SMALL
13	202040.33	GAGE BRACKET BK	95	252182.31	FOLLOWER PIVOT SHAFT CR
14	9226.00	HELN 5/16-18 ZP	96	110897.00	90 DEG. BARBED Q.D.
15	115054.00	PLASTIC CAP 2" SQUARE	101	115429.00	PLASTIC TIE - 10 IN.
16	105423.00	BUMPER MOLDED GLIDE	102	115323.00	IN LINE FILTER
17	9279.00	HWH TFTDC 5/16-18 x 3/4 ZP	103	9128.00	SHSB 5/8 x 1 1/4 BK
20	105443.00	DECAL "SERIAL #:	104	115423.00	PLASTIC TIE 8 IN. BK
21	1153.72.00	DECAL "KEISER" LARGE	105	265310.00	PLASTIC Y
22	115404.00	HOLE PLUG 1 IN.	106	135057.00	BK FLOW RESTRICTOR
23	250922.32	MAIN FRAME WT	107	110830.00	THUMB BUTTON VALVE
24	9355.00	3/8 ACFT WASHER ZP	108	9245.00	HX JAM NUT 1-1/4 ZP
25	3201.00	HHCS 3/8-16 x 1-3/4 ZP	109	115312.00	1/4 x 1/8 URETHANE TUBE
26	135422.00	RUBBER CRUTCH TIP	110	155001.00	CLEVIS
27	253040.00	ROLLER TUBE	111	953108.00	TUBING - 1/4 URETHANE BK
28	255403.00	PROTECTIVE DECAL	112	953102.00	TUBING - 1/2 POLYETHYLENE BK
31	255055.00	SEAT ROLLER	113	115318.00	EXHAUST MUFFLER 3/8
32	9227.00	HX REV LCK NUT 3/8-16 ZP	114	8155.00	MALE ELBOW 1/2 x 3/8
33	135424.00	SPRING - PEDAL	115	9128.00	SHSB 5/8 x 1 1/4 ZP
34	9176.00	HHCS 5/16-18 x1 ZP	117	9231.00	HEX JAM NUT 3/4-10 ZP
35	115438.70	PLUS CAP	118	155314.00	CYLINDER - 4 x 12
36	250870.00	HEAD CUSHION	121	250811.00	1/2 BARBED STRAIGHT
37	250861.00	BACK CUSHION	122	9364.00	LOCK WASHER ZP
38	135055.00	STEM BUMPER	123	115000.00	TANK BUSHING
41	250850.00	SEAT CUSHION	124	115333.00	O-RING .737 x .943 x .103 TO DURO
42	9016.00	SET SCREW 8-32 x 1/8	125	155369.00	TANK - 300 CUBIC IN. BK
44	115433.60	GRIP SLEEVE 3.75	126	9181.00	HHCS 5/16-18 x 2-3/4 ZP
46	115439.70	MINUS CAP	127	600801.00	PROCESSOR BOX
47	9207.00	HHCS 3/8-16 x 2-1/2 ZP	128	115314.00	SLEEVE
51	9184.00	HHCS 3/8-16 x 3 ZP	129	955300.00	4 PROTECTOR STRIP
52	250937.33	SEAT LOCK BK			
54	135050.80	FLANGE BEARING 1 IN.			
55	9112.00	BHHSCS 3/8-16 x 2-1/4 SS			
56	255404.71	TOP SEAT STRIP			
57	9228.00	HELN 3/8-16 ZP			
61	605051.00	GRIP END PLUB BK			
62	250934.33	LEVER ARM			
63	255059.00	PLASTIC CAP RECT 1.5 x 3			
64	115056.00	SHORT FLANGE BEARING .63 I.D.			
65	252248.73	PIVOT SHAFT 1 x 14.13			
66	250913.33	DRAG LINK BK			
67	115052.80	FLANGE BEARING .63			
72	250932.33	FOOT PAD BK			